

ELECTRICAL CHARACTERISTICS.

RESISTANCE ELEMENT ----- WIRE WOUND
 RESISTANCE RANGE(OHM) ----- 50,100,200,500,1K,5K,10K OHM
 RESISTANCE TOLERANCE ----- ±10%
 BEST POSSIBLE RESISTANCE TOLERANCE ----- ±5%
 LINEARITY INDEPENDENT ----- ±.75%
 BEST POSSIBLE LINEARITY INDEPENDENT ----- ±.5%
 ELECTRICAL ANGLE EUP1425 ----- 270°±5°
 ELECTRICAL ANGLE EUP1400 ----- 270°±5° WITH ENDSTOPS
 RESOLUTION -----
 TEMPERATURE COEFFICIENT ----- ±150 PPM/°C
 POWER RATING (+70°C) ----- 3 WATT
 INSULATION RESISTANCE ----- 1000MEG OHMS @ 500VDC MIN.
 DIELECTRIC STRENGTH ----- 1000 VAC
 NOISE ----- <100 OHM ENR

MECHANICAL CHARACTERISTICS.

ROTATION EUP1425 ----- 360° CONTINUOUS
 ROTATION EUP1400 ----- 285° ±5° WITH ENDSTOPS
 STOP STRENGTH (EUP1400) ----- 100 OZ-IN
 BEARING TYPE ----- SLEEVE
 TORQUE STARTING ----- 1.0 OZ.IN.
 TORQUE RUNNING ----- 0.7 OZ. IN.

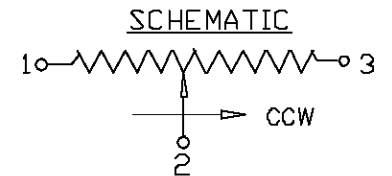
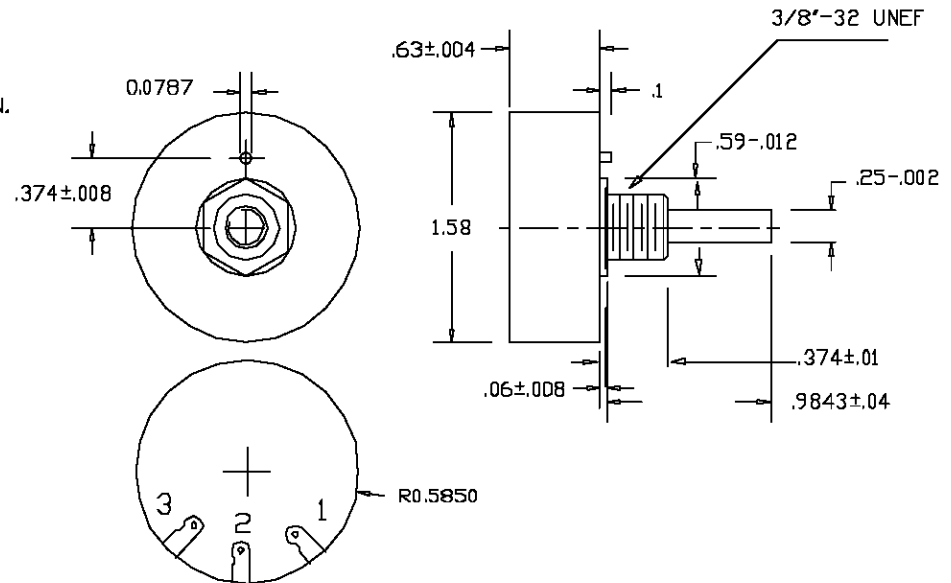
ENVIRONMENTAL CHARACTERISTICS.

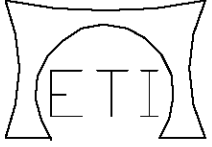
ROTATIONAL LIFE ----- 100,000 TURNS MIN.
 OPERATING TEMPERATURE ----- -35°C TO +105°C

MATERIALS

HOUSING ----- THERMOSET
 SHAFT ----- BRASS,NICKLE-PLATED
 TERMINALS ----- BRASS, PLATED
 MOUNTING HARDWARE ----- LOCKWASHER,NUT-BRASS,NICKLE-PLATED
 BUSHINGS ----- BRASS, NICKLE PLATED

REV.	BY	DATE	PART NO.	EUP1400/1425



CONDUCTIVE PLASTIC ELEMENT	SCALE	NONE	THIS DOCUMENT CONTAINS PROPRIETARY DATA OF POLARIS INDUSTRIAL ENTERPRISES, INC. NO DISCLOSURE, REPRODUCTION, OR USE OF ANY PART THERE OF MAY BE MADE EXCEPT BY WRITTEN PERMISSION.	 CARLSBAD CALIFORNIA
	DATE:	5-01-03		
	BY	AT		
<u>TOLERANCES</u>		APPRV'D	TITLE SINGLE TURN POTENTIOMETER	PART NO. EUP1400/1425
XX = +/- .010" FRACT. = +/- 1/64" XXX = +/- .005" ANGLES = +/- 1/2° ALL SPECIFICATIONS SUBJECT TO CHANGE WITHOUT NOTICE.	CODE IDENT: 19477			